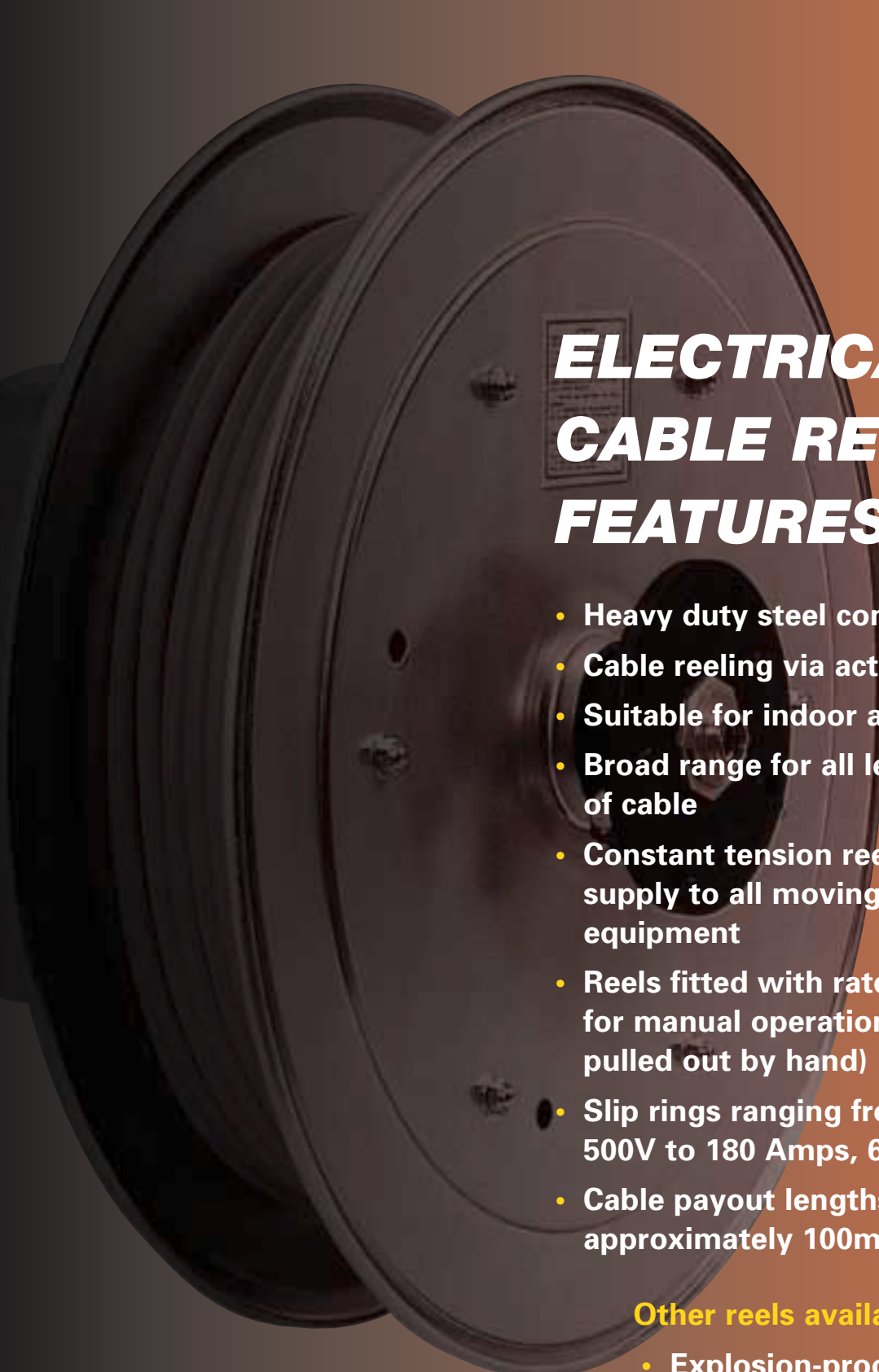


INDUSTRIAL SPRING REELS



Noremak
Total Cable Solutions





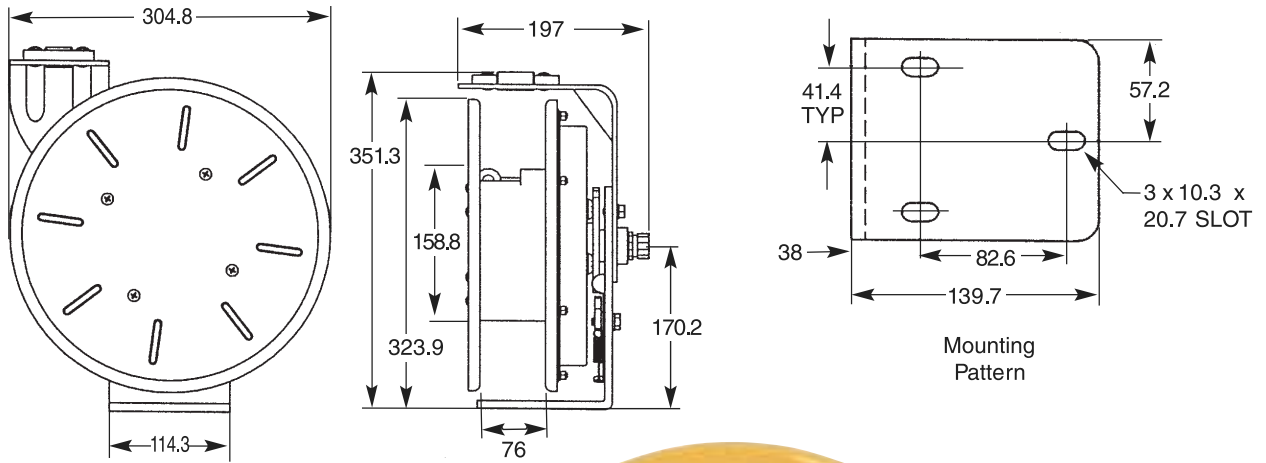
ELECTRICAL CABLE REEL FEATURES

- Heavy duty steel construction
- Cable reeling via action of coil springs
- Suitable for indoor and outdoor usage
- Broad range for all lengths and sizes of cable
- Constant tension reels for power supply to all moving industrial equipment
- Reels fitted with ratchet mechanism for manual operation (where cable is pulled out by hand)
- Slip rings ranging from 24 Amp, 500V to 180 Amps, 690V
- Cable payout lengths up to approximately 100m in cable retrieve

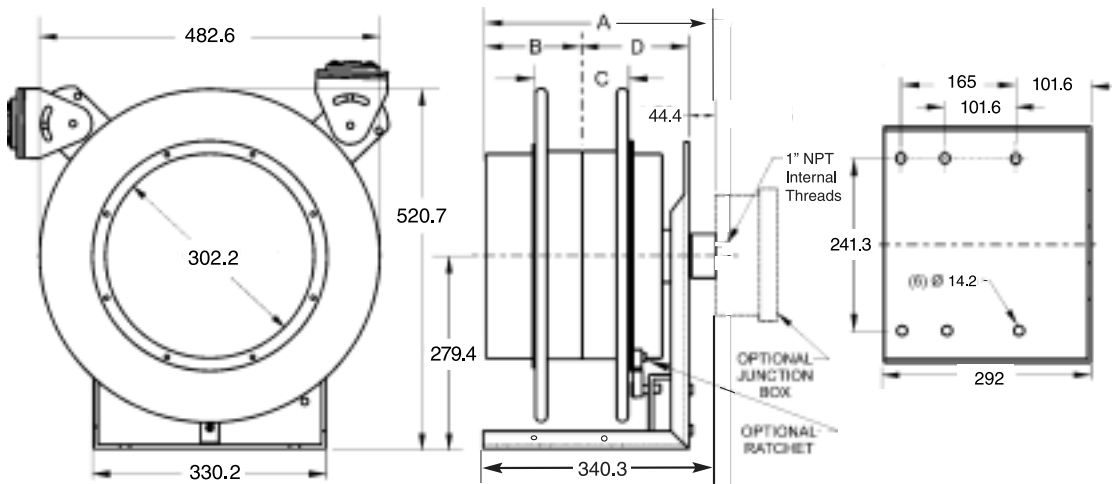
Other reels available:

- Explosion-proof reels
- Hand wind reels
- Static discharge reels
- Torque reels
- Spring-operated hose reels

1200 SERIES

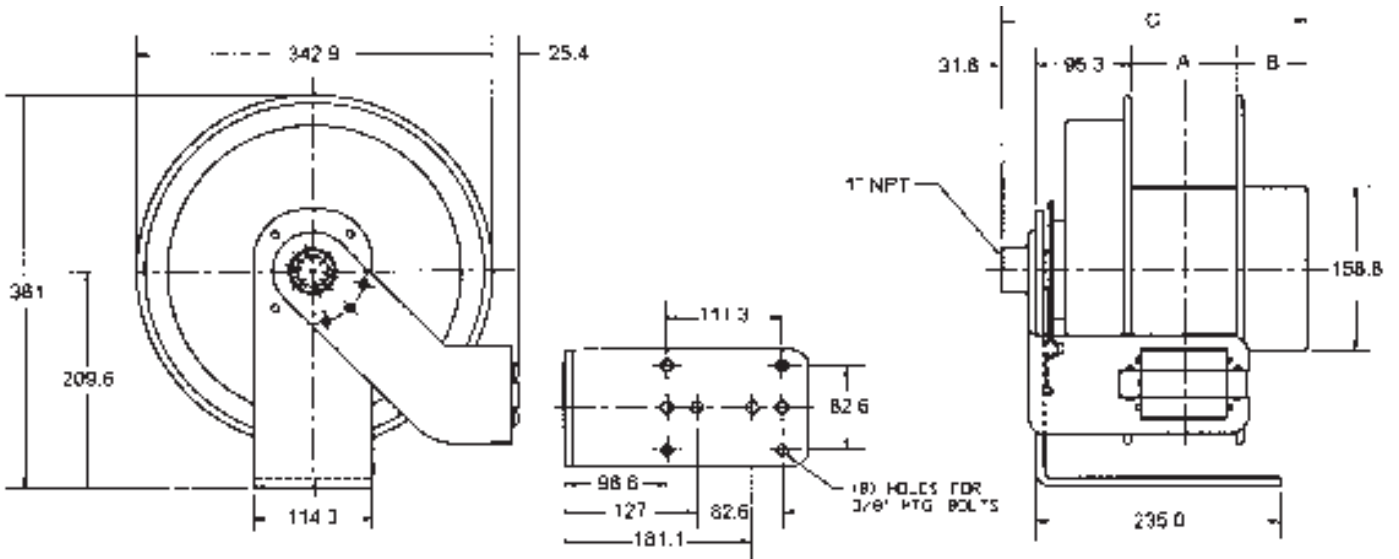


1900 SERIES



Dimensions A through D will vary with selected reel and can be provided with quote.

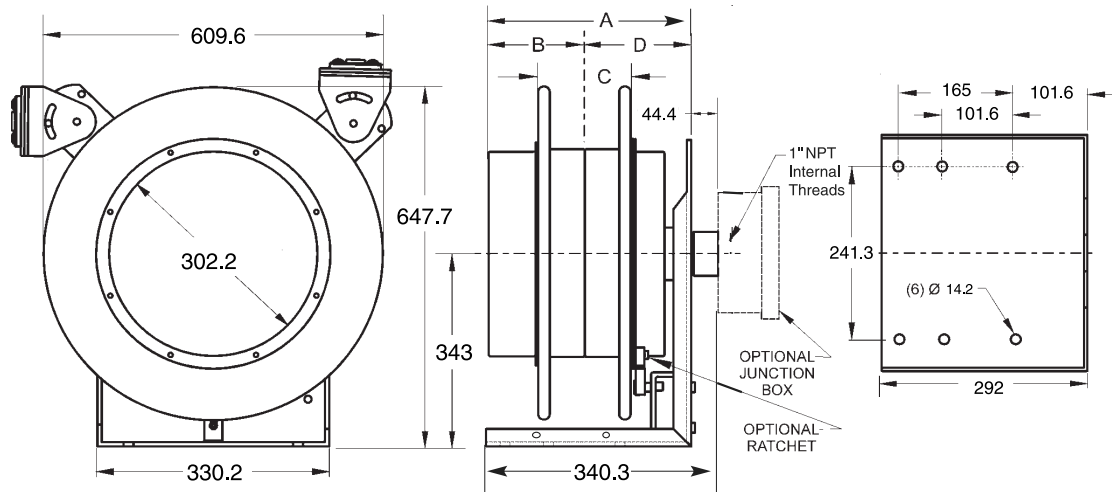
1400 SERIES



DIMENSIONS

NO. OF SLIP RINGS	STANDARD SPOOL (PB)			WIDE SPOOL (PC)		
	A	B	C	A	B	C
4	114.3	88.9	330.2	152.4	88.9	368.3
6, 8	114.3	165.1	406.4	152.4	127.0	406.4
12	114.3	215.9	457.2	152.4	152.4	431.8

2400 SERIES



Dimensions A through D will vary with selected reel and can be provided with quote.

ACCESSORIES



Pivot Base For 330° rotation of reel



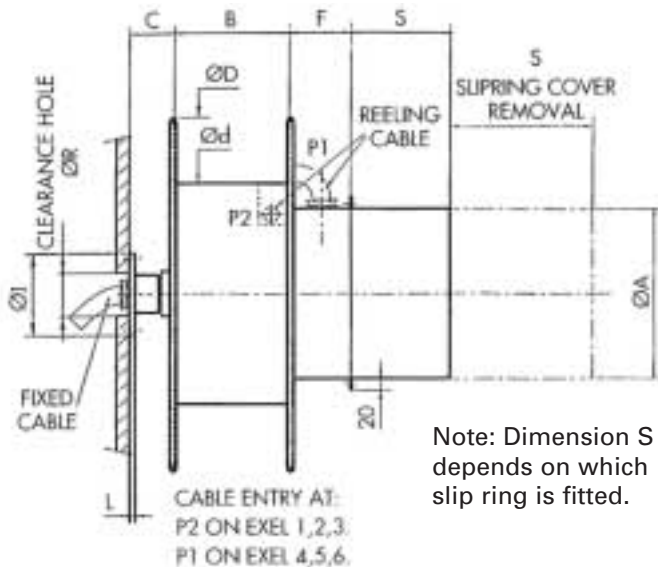
Cable Grips

To relieve strain on cable terminations

EXEL REELS

Ideal for mobile machines and longer payout lengths

- EXEL reels feature flange mounting for connection to vertical mounting plate
- Suited for use on mobile machines for automatic (ie, constant tension) operations
- Suitable for reeling speeds up to 80m/min and acceleration up to 0.3m/s²
- Extremely wide range of options available



Standard 'flange-mount' EXEL reel

GENERAL DIMENSIONS

Type	DRUM					
	ØD	Ød	B	C	ØA	F
EXEL 1	340	180	105	65	235	0
EXEL 2	390	220	115	80	220	0
EXEL 3	470	300	130	80	300	0
EXEL 4	540	350	150	80	300	100
EXEL 5	630	390	200	80	300	100
EXEL 6	800	480	260	100	300	100

Slip rings:

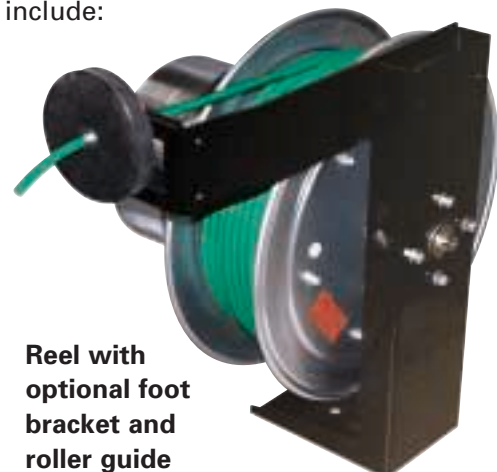
Power slip rings: 50A, 80A, 125A, 180A, 690V rated.
Control slip rings: 24A, 500V rated. From 3 to 42 rings (including earth).

Standard rings are copper alloy with double copper graphite brushes.

Plated control slip rings for low current / low voltage signal applications → silver or gold or palladium plating with double silver graphite brushes.

A wide range of optional accessories/features are available to suit various types of applications and harsh operating environments. These include:

- Foot mounting bracket [SE]
- Roller guide arm [BR]
- Ratchet mechanism [K]
- Swivel mount bracket [SP] (includes SE/BR)
- Rotary limit switch (housed in slip ring enclosure)
- Epoxy painted finish
- Stainless steel exterior hardware
- Slip ring anti-condensation heater
- Slip ring sealed to IP66 (standard sealing IP55)



Reel with optional foot bracket and roller guide

