













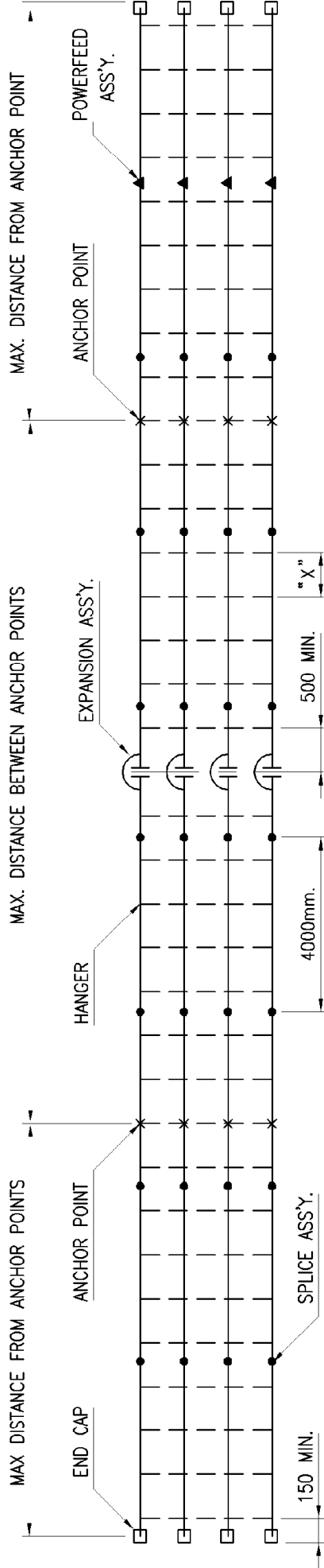








# TYPICAL 3 PHASE & EARTH ACTIV-8 PLUS INSTALLATION



**NOTES**

- 1/. DO NOT CLUSTER MOUNT CONDUCTORS FOR OUTDOOR OR VERY DUSTY INSTALLATIONS.
- 2/. TWO COLLECTORS PER PHASE ARE REQUIRED WHEN EXPANSION SECTIONS ARE INSTALLED.

	Steel	Copper	Alum. St/St.
Standard Conductor Length.	4m.	4m.	4m.
Expansion Section Length.	1.5m.	1.5m.	1.5m.
Max. System Length Without Exp.	200m.	150m.	150m.
Max. Distance Between Anchor Points.	180m.	120m.	85m.
Max. Distance From Anchor Points.	100m.	75m.	75m.

Distances Based On A 50°C Temperature Range.

TYPICAL BRACKET SPACING  
 "X" = 1500mm. STANDARD MOUNT  
 "X" = 1000mm. LATERAL MOUNT  
 "X" = 1000mm. CURVES

REV. 1 ADDED EARTH, UPDATED TO ACTIV-8 PLUS

09:06:04 MJ

**CONDUCTIX**  
**INSUL 8**

DELACHAUX GROUP

This drawing and the information shown is unpublished confidential property of Conductix P/L Subject to recall, and is loaned for use only in connection with the authorized manufacture or installation of Conductix P/L products, and on the condition that it will be treated as confidential and it will not be disclosed, published or reproduced in whole or in part, or diverted to other uses, without specific written permission.

SUBJECT TYPICAL 3 PHASE & EARTH ACTIV-8 PLUS INSTALLATION.

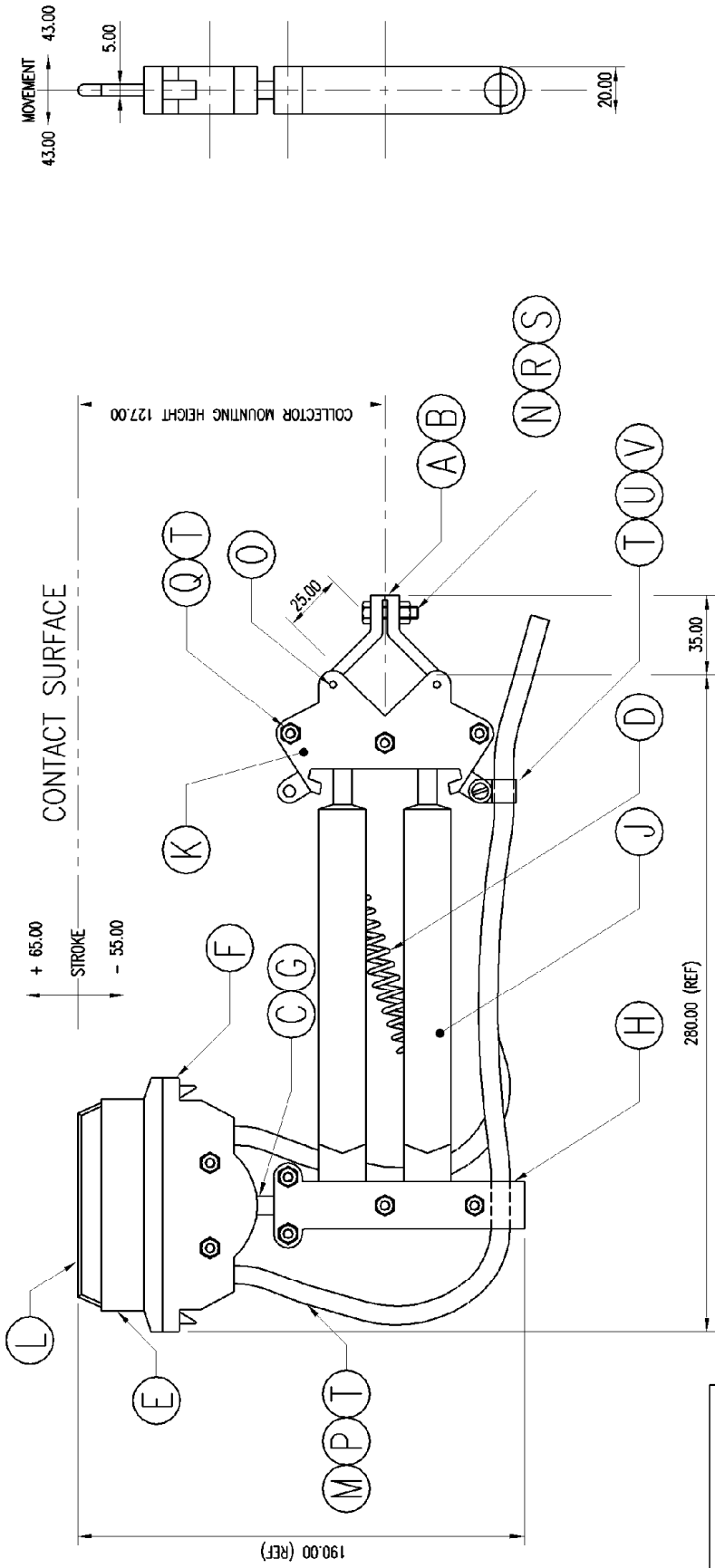
CLIENT

DRAWN MJ DATE 31:08:00

TOLERANCES ±0.25 ±1\* SCALE NTS.

REV.

ZD-009 1



SCHEDULE			
PART No.	AMPS	DESCRIPTION	ITEM "M" QTY.
98497	50	PHASE COLLECTOR	98194 1
98498	100	PHASE COLLECTOR	98194 2
98499	50	EARTH COLLECTOR	97880 1
98500	100	EARTH COLLECTOR	97880 2

V	95295	M4 x16 HEX. HD. MTS. S/S.	1
U	10245	3/8" NYLON CABLE CLAMP.	2
T	95292	M4 NYLOC NUT, S/S.	12
S	95297	M5 HEX. NUT, S/S.	1
R	95300	5mm. SPRING WASHER, S/S.	1
Q	95325	M4 x 12mm. CHEESE HD. MTS. S/S.	9
P	95327	M4 x 8mm. PAN HD. MTS. S/S.	2
O	95328	4 x 20mm. GLENLOCK ROLL PIN, S/S.	2
N	95340	M5 x 20mm. HEX. HD. SETSCREW, S/S.	1
M		"REFER SCHEDULE"	
L	98387	CONTACT SHOE, COPPER GRAPHITE. (No. 45227)	1
K	98480	BASE SIDE CHEEK. (DIE No. 45192)	2
J	98481	COLLECTOR ARM. (DIE No. 45190)	2

REV.	1	
H	98482	END CHEEK. (DIE No. 45191)
G	98483	HEAD POST. (DIE No. 45189)
F	98484	HEAD SIDE CHEEK. (DIE No. 45193)
E	98485	SHOE HOLDER. (DIE No. 45188)
D	98486	ARM SPRING. (No. 45194)
C	98487	COMPRESSION SPRING. (No. 45125)
B	98488	HINGE CLAMP. (No. 45299)
A	98489	HINGE CLAMP, C/W RECESS (No. 45298)
ITEM	PART No.	DESCRIPTION

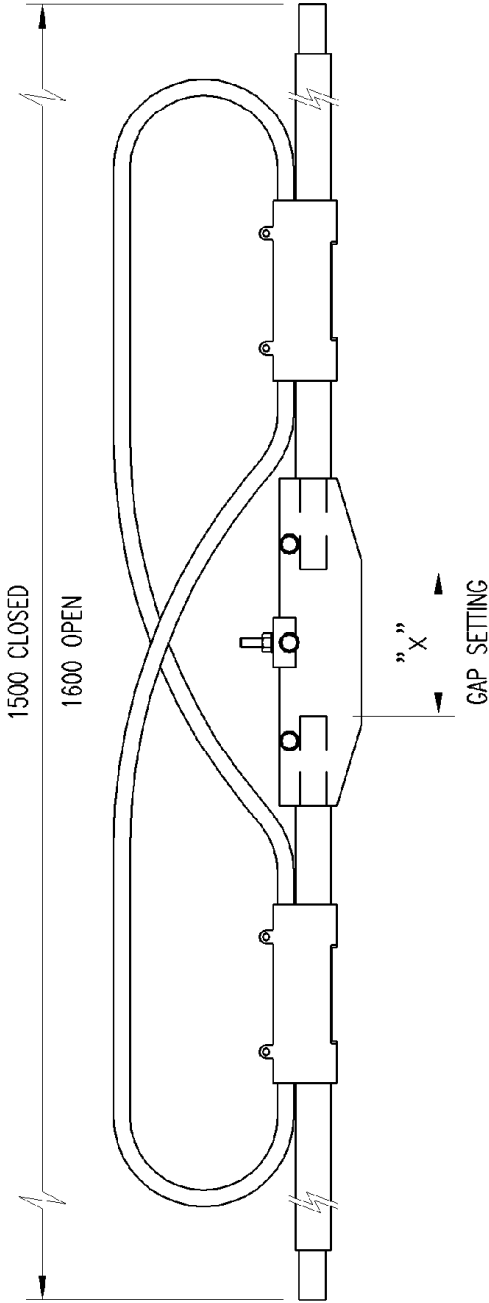
BILL OF MATERIAL			
SUBJECT		DATE	REV.
DOUBLE ARM ACTIV-8 PLUS COLLECTOR		18:10:00	
CLIENT		SCALE	N.T.S.
DRAWN		WJ	
TOLERANCES		±0.25	±1
DEC.		ANG.	
ZD-019		1	

**CONDUCTIX**  
*INSUL S*

© DELACHAUX GROUP

The drawing and the information shown is unclassified confidential property of Conductix Insul S. Subject to receipt and in favor of use only in connection with the contract for which it was prepared. It is not to be reproduced, stored in a retrieval system, or transmitted in any form or by any means, without specific written permission.

# ACTIV-8 PLUS EXPANSION GAP SETTINGS



TEMP C°	GAP SETTING "X" (mm.)
0°	110
5°	99
10°	88
15°	77
20°	66
25°	55
30°	44
35°	33
40°	22
45°	11
50°	0

	STEEL	COPPER	ALUM.ST/ST.
STANDARD CONDUCTOR LENGTH.	4m.	4m.	4m.
EXPANSION SECTION LENGTH.	1.5m.	1.5m.	1.5m.
MAX. SYSTEM LENGTH WITHOUT EXP.	200m.	150m.	150m.
MAX. DISTANCE BETWEEN ANCHOR POINTS.	180m.	120m.	85m.
MAX. DIST. ANCHOR POINT TO END OF RUNWAY.	100m.	75m.	75m.

DISTANCES BASED ON A 50°C TEMPERATURE RANGE.  
 NOTE: FOR OTHER TEMP. RANGES CONSULT YOUR INSUL-8 REPRESENTATIVE.

REV.

SUBJECT ACTIV-8 PLUS EXPANSION GAP SETTINGS

CLIENT

DRAWN MJ

DATE 31:08:00

REV. 1

TOLERANCES ±0.25 ±1°

SCALE NTS.

ZD-010R1

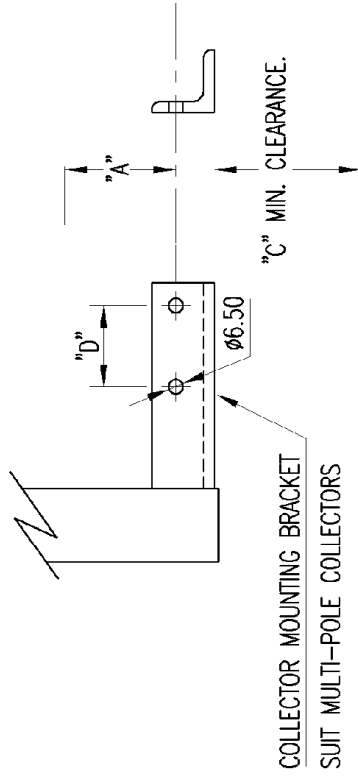
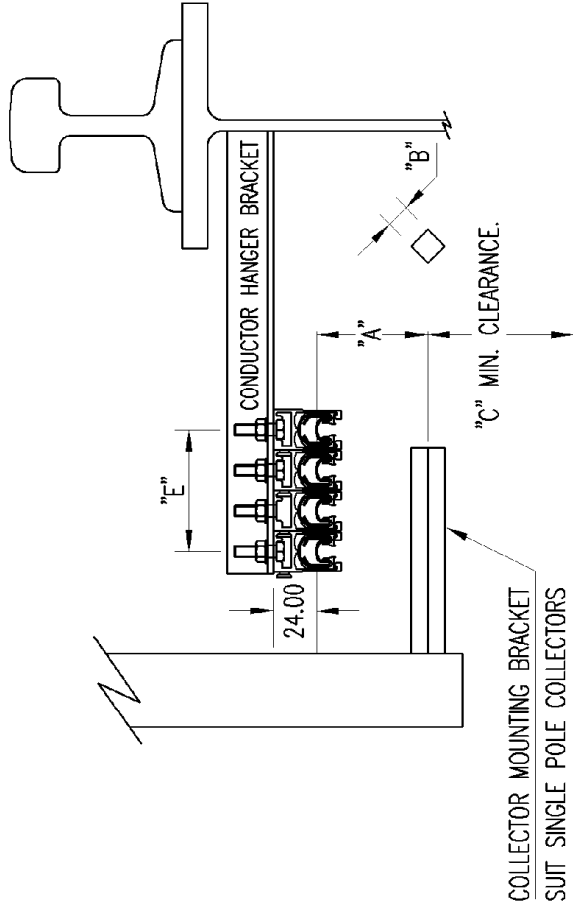


DELACHAUX GROUP

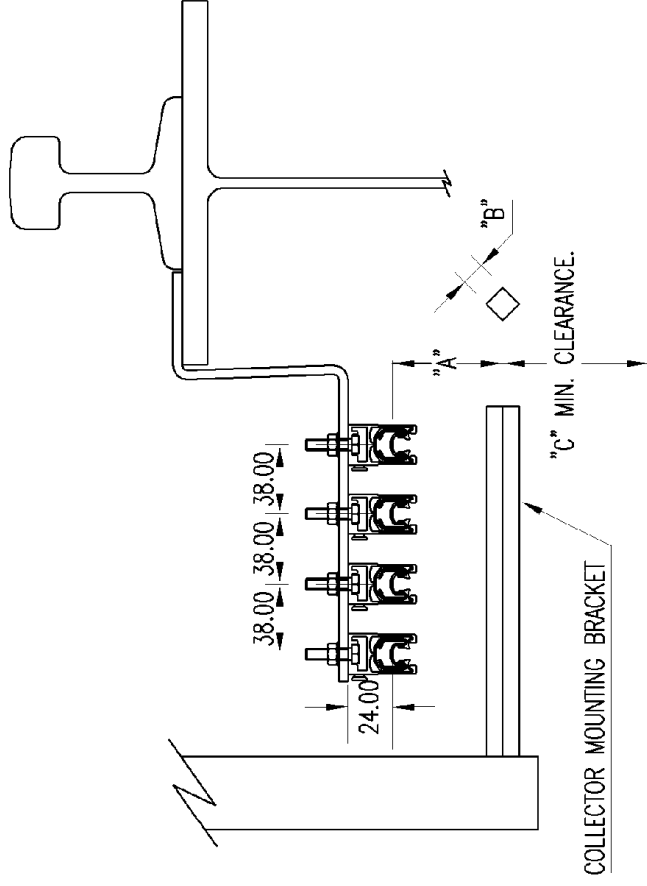
This drawing and the information shown is unpublished confidential property of Insul-8 Aus./P/L. Subject to recall, and is loaned for use only in connection with the authorized manufacture or installation of Insul-8 Aus. P/L products, and on the condition that it will be treated as confidential and it will not be disclosed, published or reproduced in whole or in part, or altered to other users, without specific written permission.

UNLESS OTHERWISE SPECIFIED.

CLUSTER MOUNTING



MONOPOLE MOUNTING



COLLECTOR	POLES	AMPS	DIM "A"	DIM "B"	DIM "C"	DIM "D"	DIM "E"
31582	2	30	60		75	20	22
31583	3	30	60		75	42	44
31584	4	30	60		75	64	66
31589	1	30	60	12.5	75		
98497	1	50	127	25	125		
98498	1	100	127	25	125		
399360	1	50	87	12.5	160		
310990	1	100	127	25	225		

REV. 2 ADDED MOUNTING DIMENSIONS TO CHART FOR COLLECTORS PART NOS. 399360 & 310990

SUBJECT TYPICAL ACTIVE-8 PLUS CONDUCTOR BAR AND COLLECTOR MOUNTING ARRANGEMENT.

CLIENT

DRAWN MJ DATE 05:09:00

TOLERANCES ±0.25 ANG. ±1° SCALE NTS. ZD-011

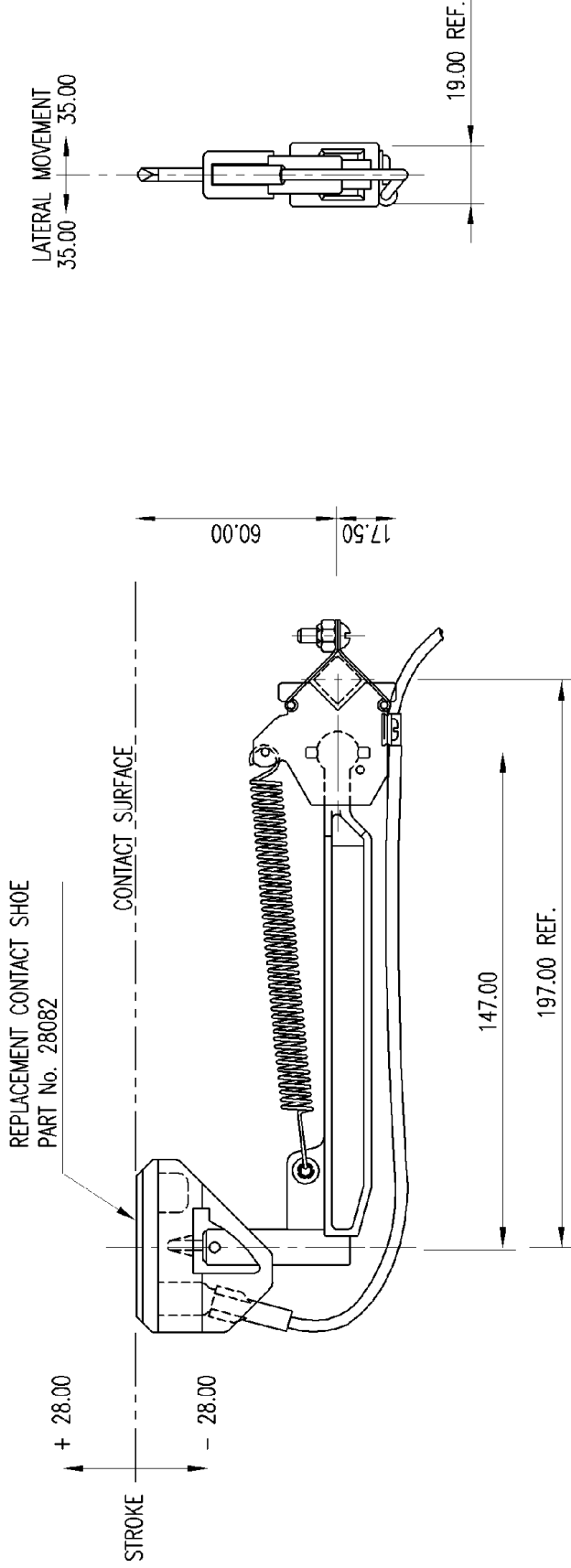
REV.

2

**CONDUCTIX**  
**INSUL 8**

DELACHAUX GROUP

This drawing and the information shown is unpublished confidential property of Conductix P/L. Subject to recall, and is loaned for use only in connection with the authorized manufacture or installation of Conductix P/L products, and on the condition that it will be treated as confidential and it will not be disclosed, published or reproduced in whole or in part, or diverted to other uses, without specific written permission.



REV. 1

**CONDUCTIX**  
**INSUL 8**

DELACHAUX GROUP

This drawing and the information shown is unpublished confidential property of Conductix P/L. Subject to recall, and is loaned for use only in connection with the authorized manufacture or installation of Conductix P/L products, and on the condition that it will be treated as confidential and it will not be disclosed, published or reproduced in whole or in part, or diverted to other uses, without specific written permission.

SUBJECT 30 AMP ACTIV-8 PLUS COLLECTOR, SINGLE CONDUCTOR. PART No. 31589

CLIENT

DRAWN MU

DATE 26:10:00

REV.

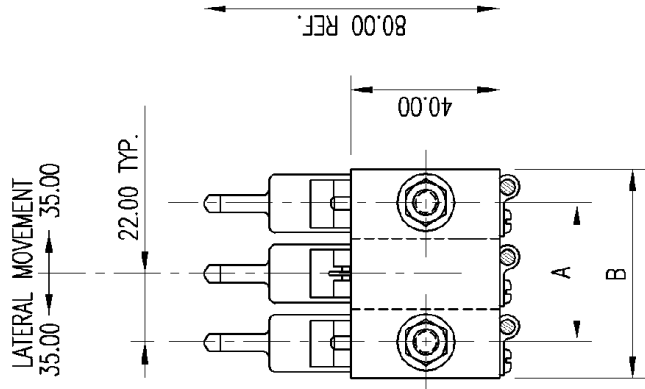
TOLERANCES ±0.25

SCALE N.T.S.

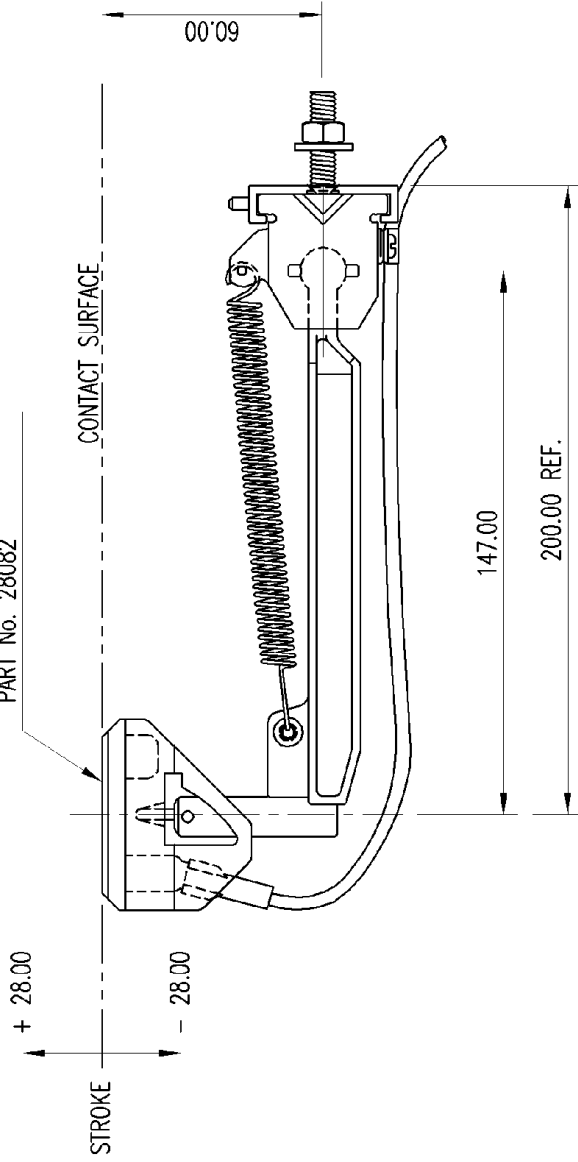
ZD-023

1

UNLESS OTHERWISE SPECIFIED.



REPLACEMENT CONTACT SHOE  
PART No. 28082



PART No.	No. OF CONDUCTORS	A mm.	B mm.
31582	2	20	40
31583	3	42	62
31584	4	64	84

REV. 1

**CONDUCTIX**  
**INSUL 8**

∅ DELACHAUX GROUP

This drawing and the information shown is unpublished confidential property of Conductix P/L. Subject to recall, and is loaned for use only in connection with the authorized manufacture or installation of Conductix P/L products, and on the condition that it will be treated as confidential and it will not be disclosed, published or reproduced in whole or in part, or diverted to other uses, without specific written permission.

SUBJECT 30 AMP ACTIV-8 PLUS COLLECTOR, MULTI-CONDUCTOR.

CLIENT

DRAWN MU DATE 26:10:00

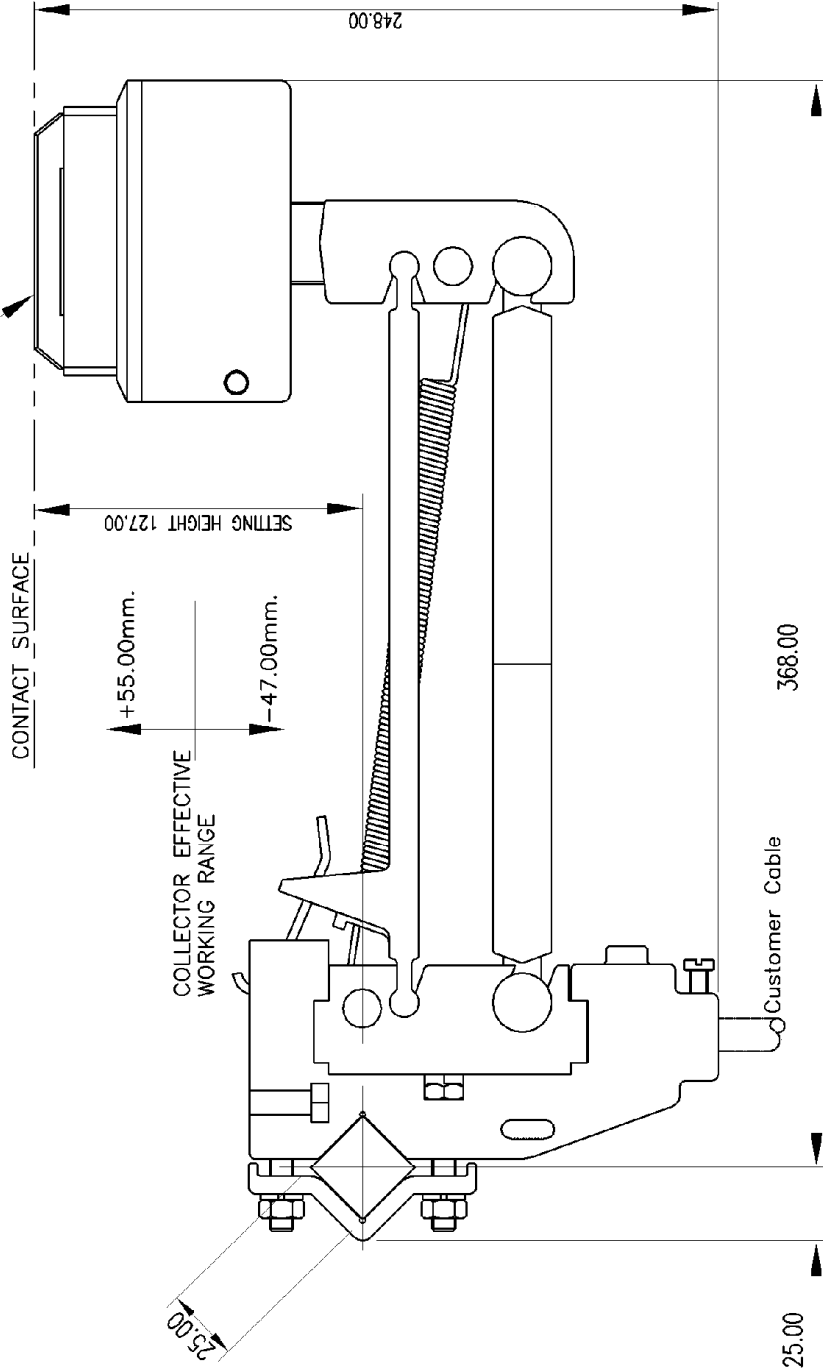
TOLERANCES ±0.25 ±1° SCALE N.T.S.

ZD-024

REV.

1

REPLACEMENT CONTACTSHOE  
310993 (INCLUDES HOLDER)



REV.

**CONDUCTIX**  
**INSUL 8**

⊕ DELACHAUX GROUP

This drawing and the information shown is unpublished confidential property of Conductix-Insul 8. Subject to requirements for use only in connection with the product and its accessories. It is the property of Conductix-Insul 8 and its condition that it will be treated as confidential. It will not be disclosed, published or reproduced in whole or in part, or diverted to other uses, without specific written permission.

SUBJECT 100 AMP DI ACTIV-8 PLUS COLLECTOR PART No. 310990

CLIENT

DRAWN MU DATE 09:06:04

TOLERANCES DEC. ANG. SCALE DRAWN A4 N.T.S.  
±0.25 ±1'

REV.

ZD-731

UNLESS OTHERWISE SPECIFIED.